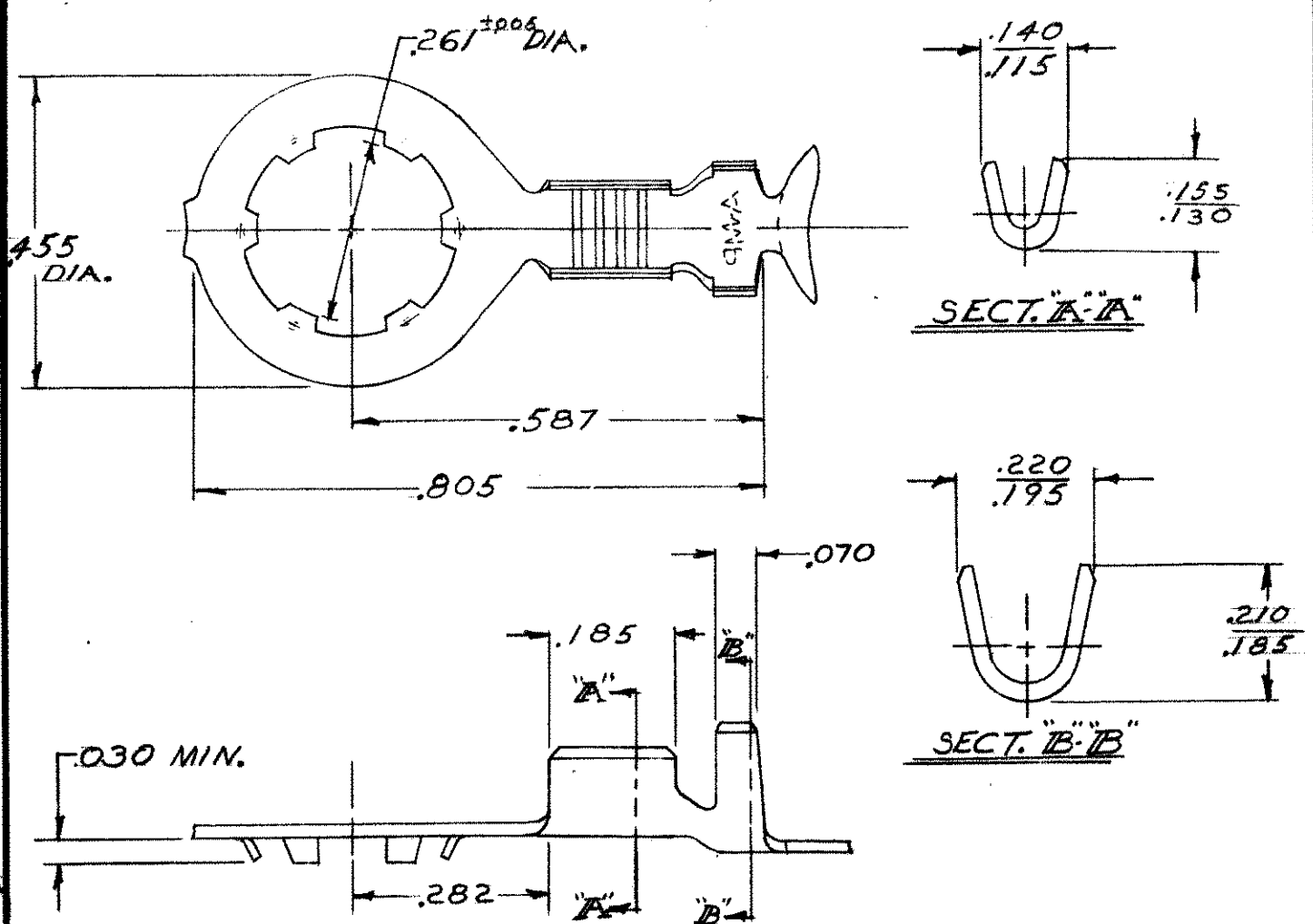


NUMBER 61283



CONTINUOUS STRIP ON REELS

TERMINAL NUMBER	MATERIAL	FINISH
61283-1	.025 - BRASS	TIN
61283-2	.025 - STEEL	TIN

⚠ PRELIMINARY - NOT FOR PRODUCTION.

Unpublished copy not to be reproduced nor published without written permission of AMP Incorporated

DIMENSIONS IN INCHES. DO NOT SCALE PRINT.

G	REV PER	063A-0529-02	MP	DFD	9-3-2002
F	DES-2	AF-3699			5-13-88
E	ADDED -2	PERTTI	84/1		10/84
D	REYIND	SERRATIONS	V-0154		4/5/71
C	REVISED		A-1293		11/68
B	REVISED		A-47		11/68
A	REVISED (RELEASED)		A-1217		11/68

©1968 BY AMP INCORPORATED, ALL RIGHTS RESERVED. AMP PRODUCTS COVERED BY PATENTS AND/OR PATENTS PENDING.

CUSTOMER COPY REFERENCE ONLY

MATERIAL AND FINISH  
SEE TABLE



AMP INCORPORATED  
HARRISBURG, PENNA.

WIRE RANGE INSULATION  
22-16 100-.140

CLASS	—H—
TYPE	—H—
LOC	AE
NO	A 61283
REV	G

LTR	REVISION RECORD	ECN	DR	CHK	DATE

TOLERANCE EXCEPT AS NOTED	SCALE	LOC	NO	REV
±.015 ±1'0'	H	AE	A 61283	G

RING